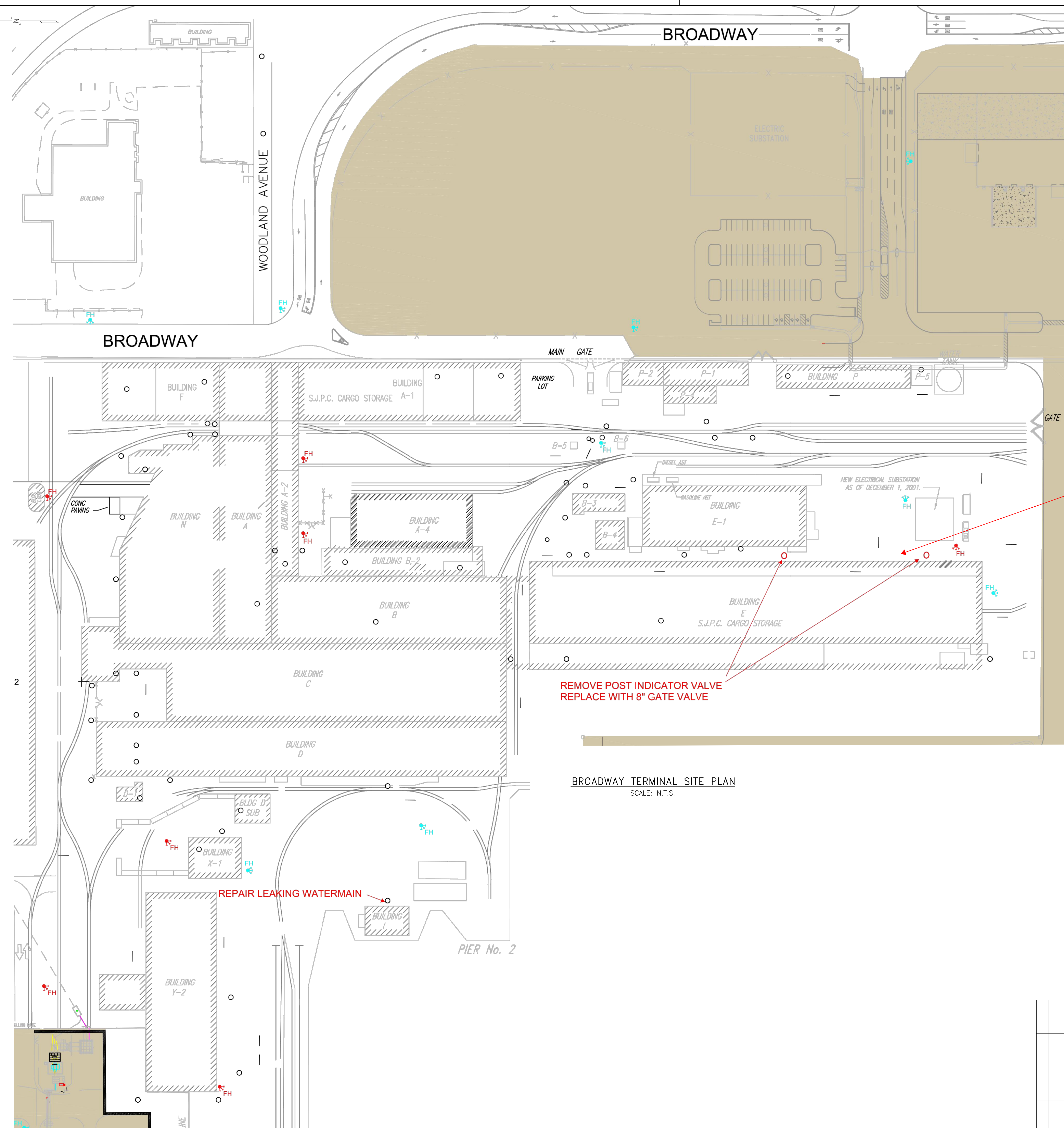


ISSUED PRINTS





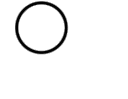
BROADWAY TERMINAL SITE PLAN
SCALE: N.T.S.


REPAIR / REPLACE LEAKING WATER MAIN

REMOVE POST INDICATOR VALVE
REPLACE WITH 8" GATE VALVE

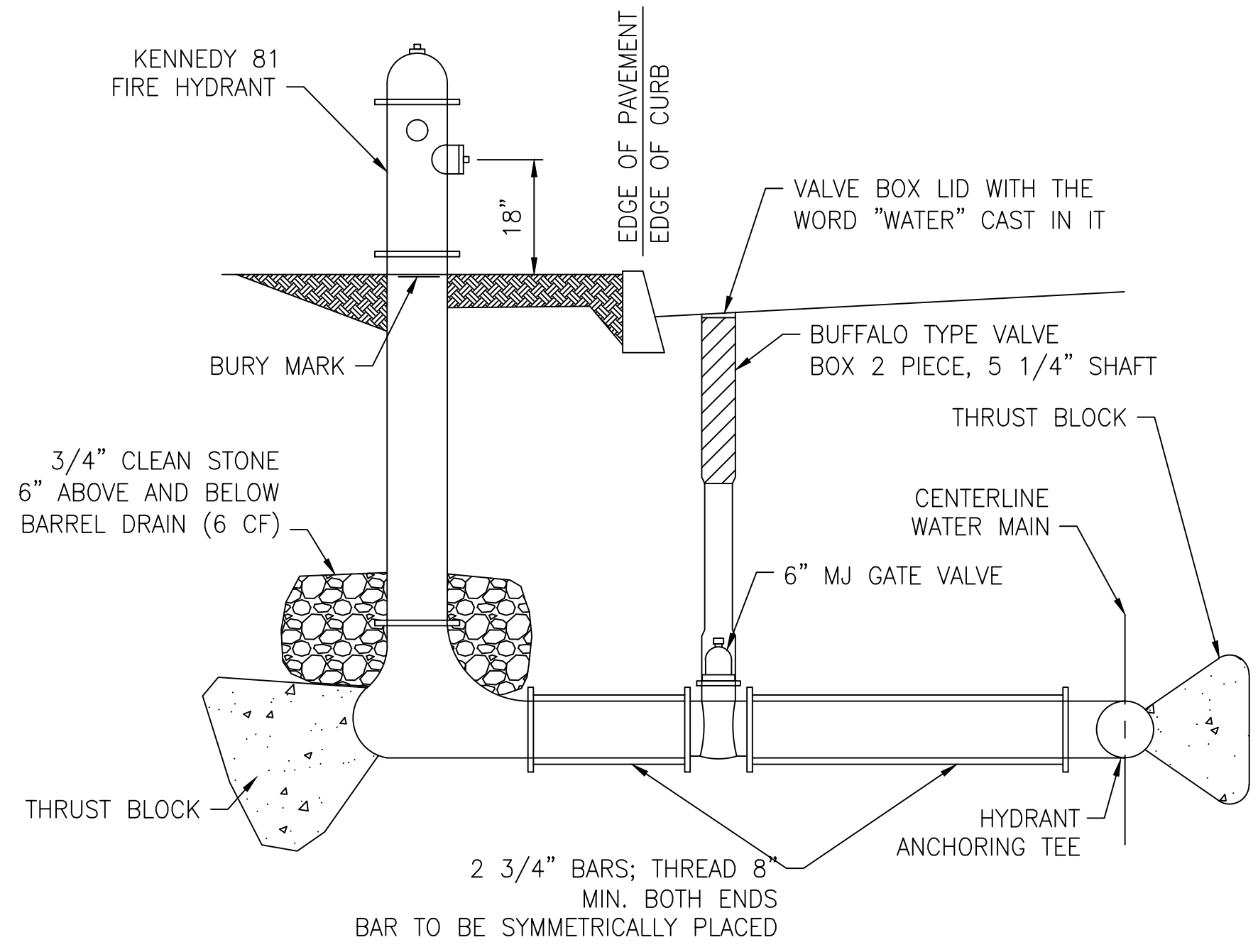
REPAIR LEAKING WATERMAIN

LEGEND

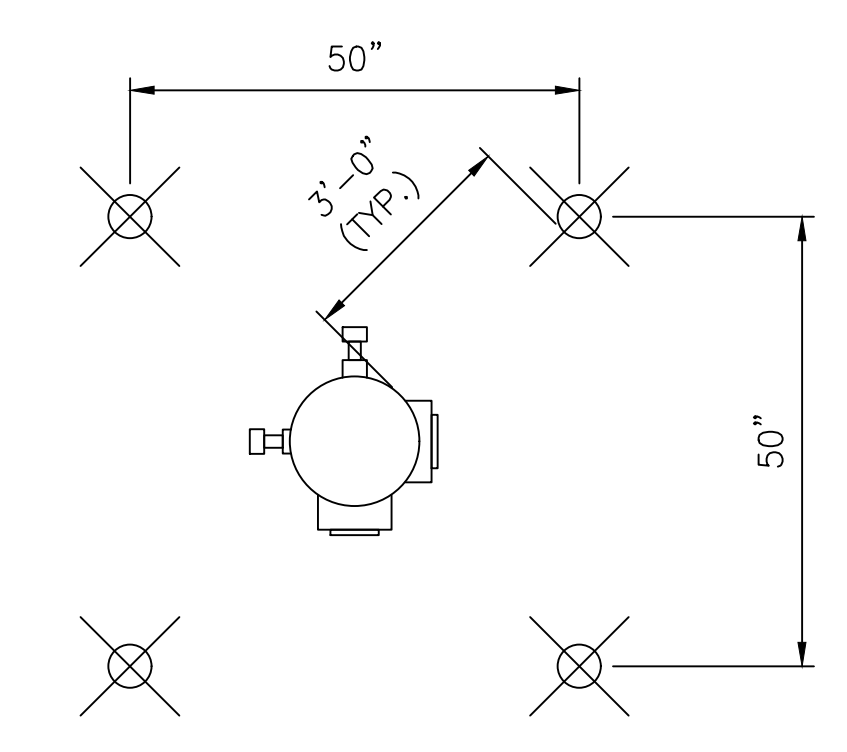
-  FIRE HYDRANT
-  FIRE HYDRANT TO BE REPLACED
-  MANHOLE

A. 8.1.2001 ISSUED FOR BIDDING BY: STAFF CHECKED: RW APPROVED: gds	APPROVALS approved by: _____ for _____ date: _____ _____ _____		S.T. HUDSON ENGINEERS, INC. PROFESSIONAL ENGINEERS & CONSULTANTS  900 Dudley Ave. Cherry Hill, N.J. 08002 Fax No. 856-342-8323 856-342-6600
	SOUTH JERSEY PORT CORPORATION BROADWAY STREET TERMINAL CAMDEN, NJ		
draw: STAFF checked: RW approved: gds	date: 7-7-21 file: Sp-1515	sheet: 21-050-00 project: BROADWAY TERMINAL drawing no.: 1 of 2 revision: A	FIRE HYDRANT LOCATION PLAN

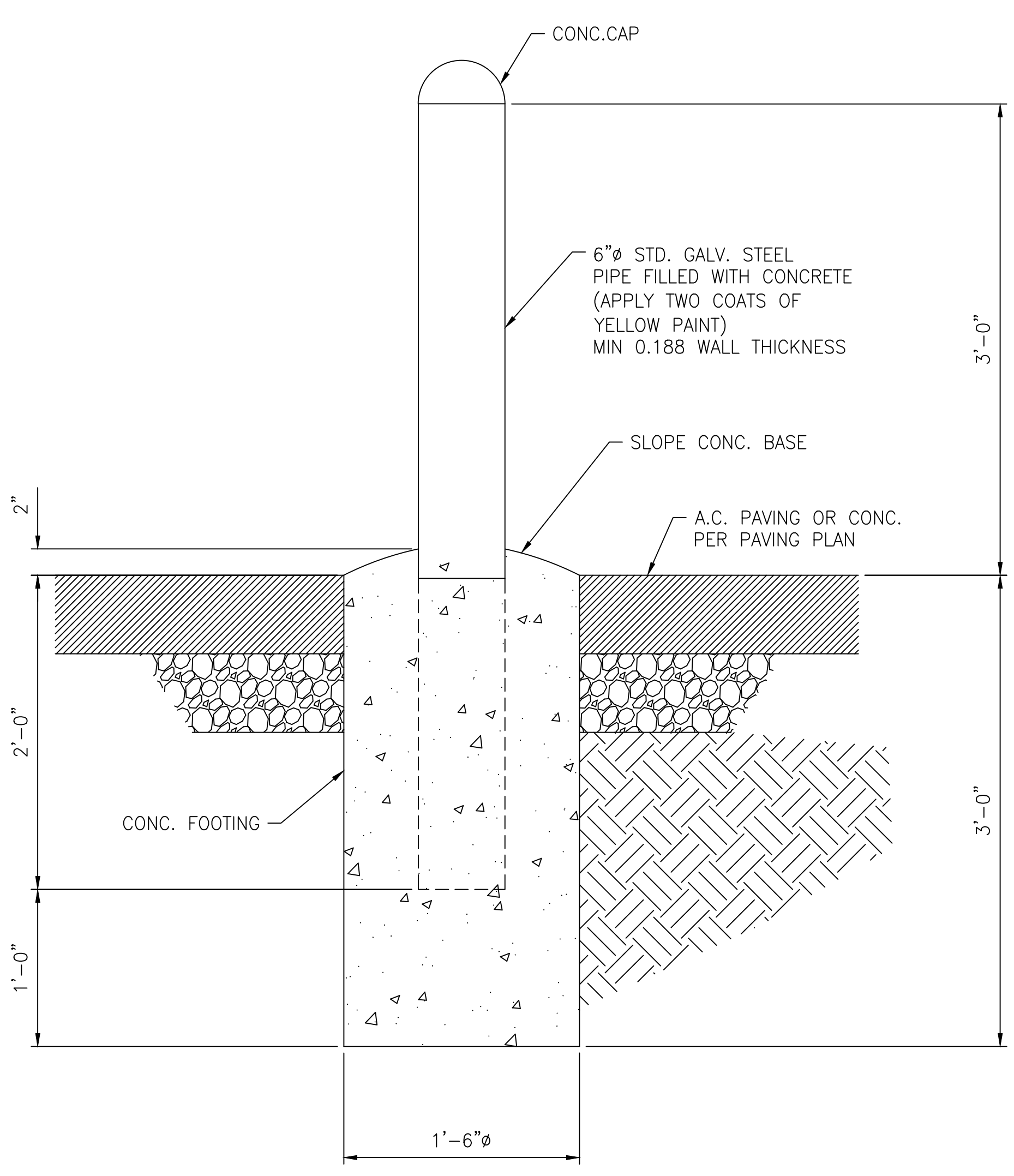
ISSUED PRINTS



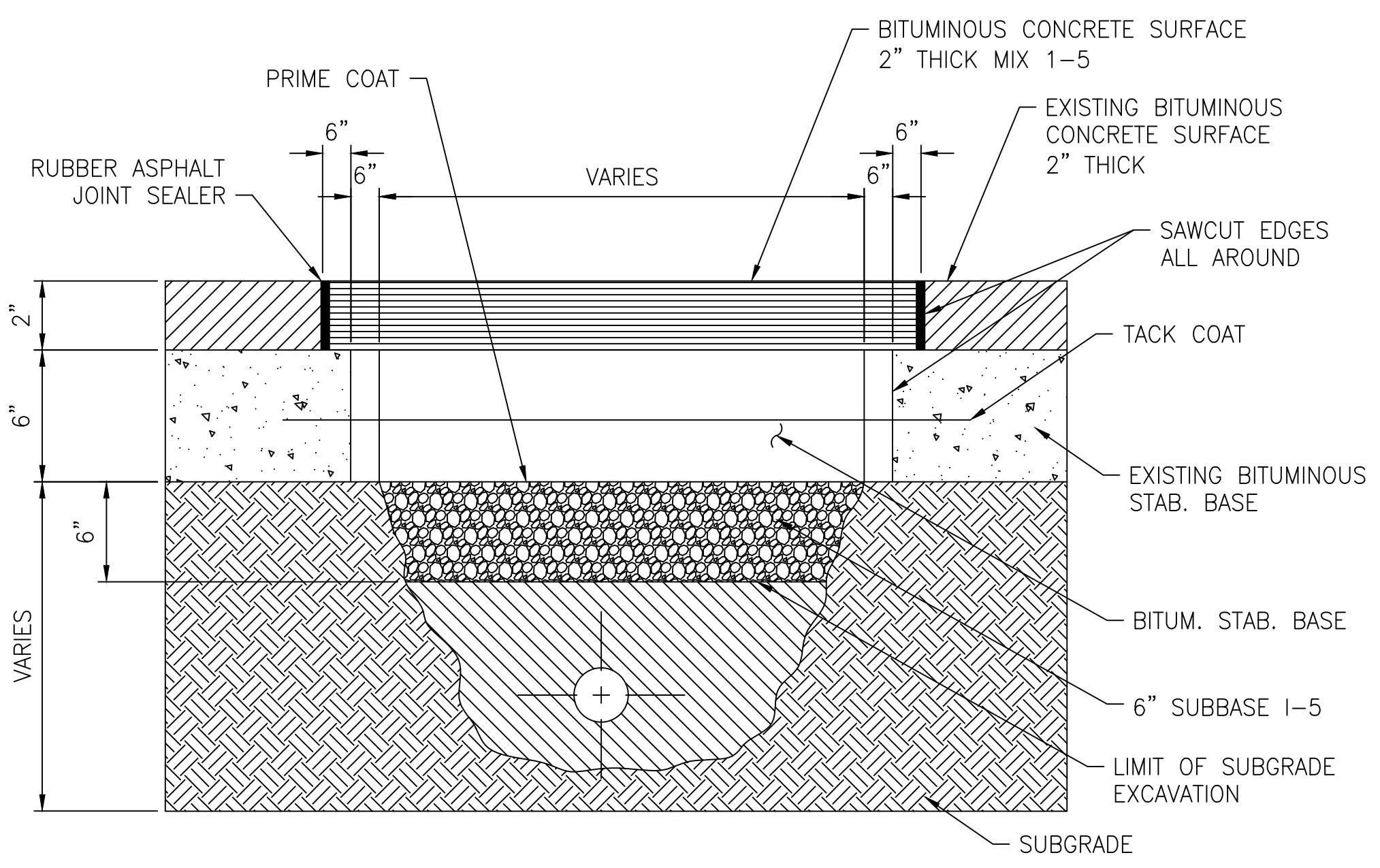
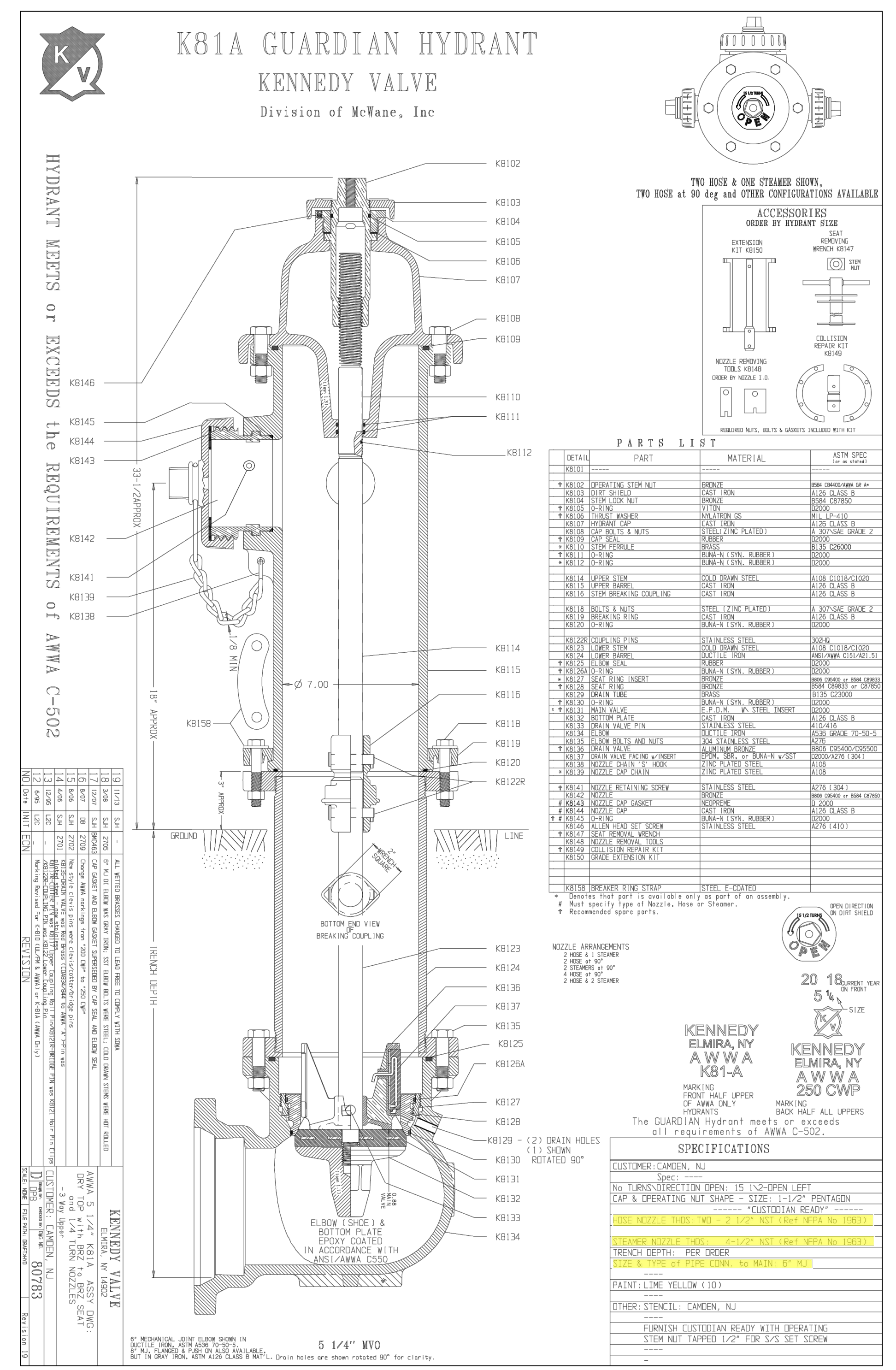
FIRE HYDRANT ASSEMBLY DETAIL
CITY OF CAMDEN
DIVISION OF CAPITAL IMPROVEMENTS AND CONSTRUCTION MANAGEMENT
CAMDEN COUNTY, NEW JERSEY



PIPE BOLLARD PLAN VIEW
SCALE: N.T.S.



PIPE BOLLARD DETAIL
SCALE: 1 1/2\"/>



UTILITY OPENING REPAIR
SCALE: N.T.S.
BITUMINOUS OVER BIT. STAB.

FIRE HYDRANT NOTES:

1. THE INLET HUB, GATE VALVE AND HYDRANT TEE SHALL BE RODDED TOGETHER WITH CONTINUOUS THREADED RODS (ALL THREAD), SOCKET CLAMPS, WASHERS, AND CORPORATION EYE BOLTS TO PREVENT HYDRANT FROM BLOWING OFF.
2. CONTRACTOR SHALL INSURE THAT THE FIRE HYDRANT THREADS CONFORM TO LOCAL FIRE COMPANY'S STANDARDS.

TRENCH EXCAVATION/RESTORATION NOTES:

1. SELECT FILL FOR BACKFILL OF WATER MAIN TRENCHES SHALL BE NJDOT 1-5 DENSE GRADED AGGREGATE IN ACCORDANCE WITH 901.08 OF THE NJDOT STANDARD SPECIFICATIONS.
2. ALL DEBRIS ENCOUNTERED DURING EXCAVATION OF EXISTING MAINS SHALL BE REMOVED AND DISPOSED OF BY CONTRACTOR. NO DEBRIS SHALL BE RETURNED TO THE TRENCH DURING BACKFILLING.
3. PAVEMENT RESTORATION WILL BE PROVIDED AS THE DETAIL SHOWN ON THE PLANS. CONTRACTOR SHALL BE RESPONSIBLE FOR CORRECTION OF ANY SETTLING OF THE TRENCH SECTION FOR A PERIOD OF ONE (1) YEAR AFTER PLACEMENT OF PAVEMENT.
4. ALL PIPING SHALL HAVE A MINIMUM OF 36\"/>

STREET RESTORATION NOTES:

1. PROTECT SUBGRADES AND FOUNDATION SOIL FROM SOFTENING AND DAMAGE BY WATER, FREEZING TEMPERATURES OR FROST.
2. EXCAVATE TO SUBGRADE ELEVATION REGARDLESS OF CHARACTER OF MATERIALS AND OBSTRUCTIONS ENCOUNTERED. TAMP SUBGRADE PRIOR TO PLACEMENT OF RESTORATION MATERIALS.
3. BOX CUT EXISTING OPENINGS AS INDICATED ON DETAIL. RAW CUT EXISTING UTILITY STREET OPENING BELOW LONGITUDINAL AND TRAVERSE TO PROVIDE A NEAT EDGE AND SEAL JOINT AS INDICATED.
4. PLACE EACH MATERIAL AT DEPTH AND THICKNESS INDICATED. COMPACT EACH LAYER BY MEANS OF TAMPING.
5. GRADE AREAS TO A SMOOTH SURFACE TO BLEND INTO EXISTING GRADES.
6. UNDER PAVEMENTS AND WALKWAYS, PLACE SUBBASE COARSE MAERIAL ON PREPARED SUBGRADES AS INDICATED OR DIRECTED BY ENGINEER AND COMPACT BY TAMPING TO REQUIRED THICKNESS.
7. REMOVE SURPLUS SATISFACTORY SOIL AND WASTE MATERIAL INCLUDING UNSATISFACTORY SOIL, TRASH AND DEBRIS AND LEGALLY DISPOSE OF IT.

ISSUED FOR BID		APPROVALS		S.T. HUDSON ENGINEERS, INC. PROFESSIONAL ENGINEERS & CONSULTANTS	
DATE	BY	APPROVED BY	FOR	DATE	990 Dudley Ave. Cherry Hill, NJ, 08002 Fax No. 856-342-8323 856-342-6600
DATE	BY	APPROVED BY	FOR	DATE	HE
DATE	BY	APPROVED BY	FOR	DATE	SOUTH JERSEY PORT CORPORATION BROADWAY STREET TERMINAL CAMDEN, NJ
DATE	BY	APPROVED BY	FOR	DATE	drawn: STAFF date: 7-7-21 checked: RW file: Sp-1515 approved: ads
DATE	BY	APPROVED BY	FOR	DATE	BROADWAY TERMINAL FIRE HYDRANT DETAILS
DATE	BY	APPROVED BY	FOR	DATE	2 of 2 A