

LIST OF DRAWINGS

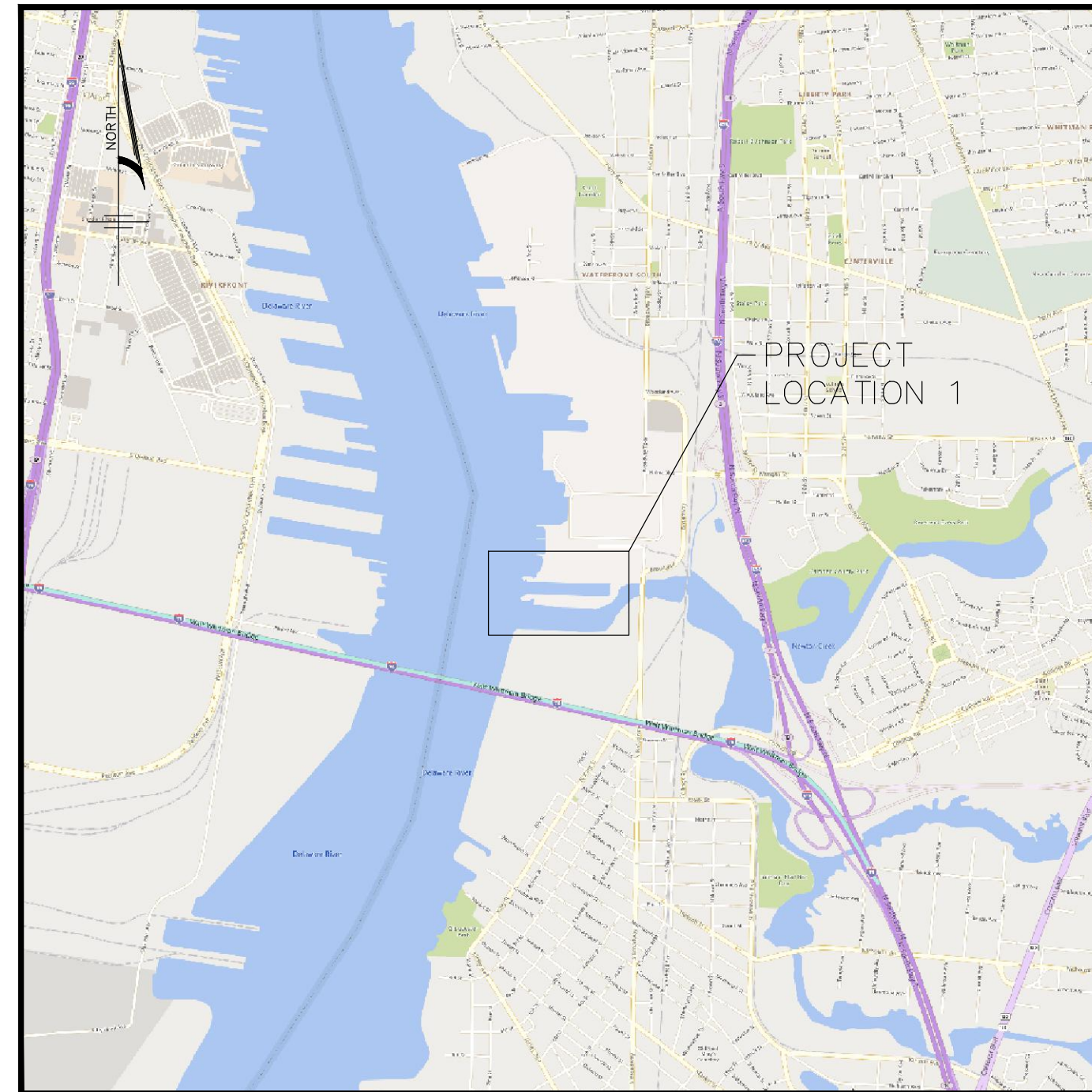
No.	Description	Revision Date
01	TITLE SHEET	ORIGINAL SUBMISSION
02	PROJECT NOTES	ORIGINAL SUBMISSION
03	FACILITY SITE PLAN	ORIGINAL SUBMISSION
04	PIER 5 SITE PLAN	ORIGINAL SUBMISSION
05	PIER 5 EXISTING CONDITIONS 1 OF 2	ORIGINAL SUBMISSION
06	PIER 5 EXISTING CONDITIONS 2 OF 2	ORIGINAL SUBMISSION
07	PIER 5 PROPOSED REPAIRS 1 OF 2	ORIGINAL SUBMISSION
08	PIER 5 PROPOSED REPAIRS 2 OF 2	ORIGINAL SUBMISSION

SOUTH JERSEY PORT CORPORATION

BROADWAY FACILITY IMMEDIATE REPAIRS

BLOCK 455; LOT 1

CAMDEN, NEW JERSEY 08103



VICINITY MAP

USGS QUAD MAPS
SCALE: 1" = 2,000'



SITE MAP

SCALE: 1" = 200'

ISSUED FOR BID

DATE	REVISIONS	DRAWN BY	CHECKED BY
9/13/21	ISSUE FOR BID	ATF	WSL

PROJECT No:	SJP-2101
HORIZONTAL SCALE:	AS SHOWN
VERTICAL SCALE:	N/A
DATE:	9/13/2021
DRAWN BY:	ATF
CHECKED BY:	WSL
RELEASED BY:	WSL

SOUTH JERSEY PORT CORPORATION
BROADWAY FACILITY
IMMEDIATE REPAIRS

TITLE SHEET
SITUATED IN
CAMDEN, NEW JERSEY 08103

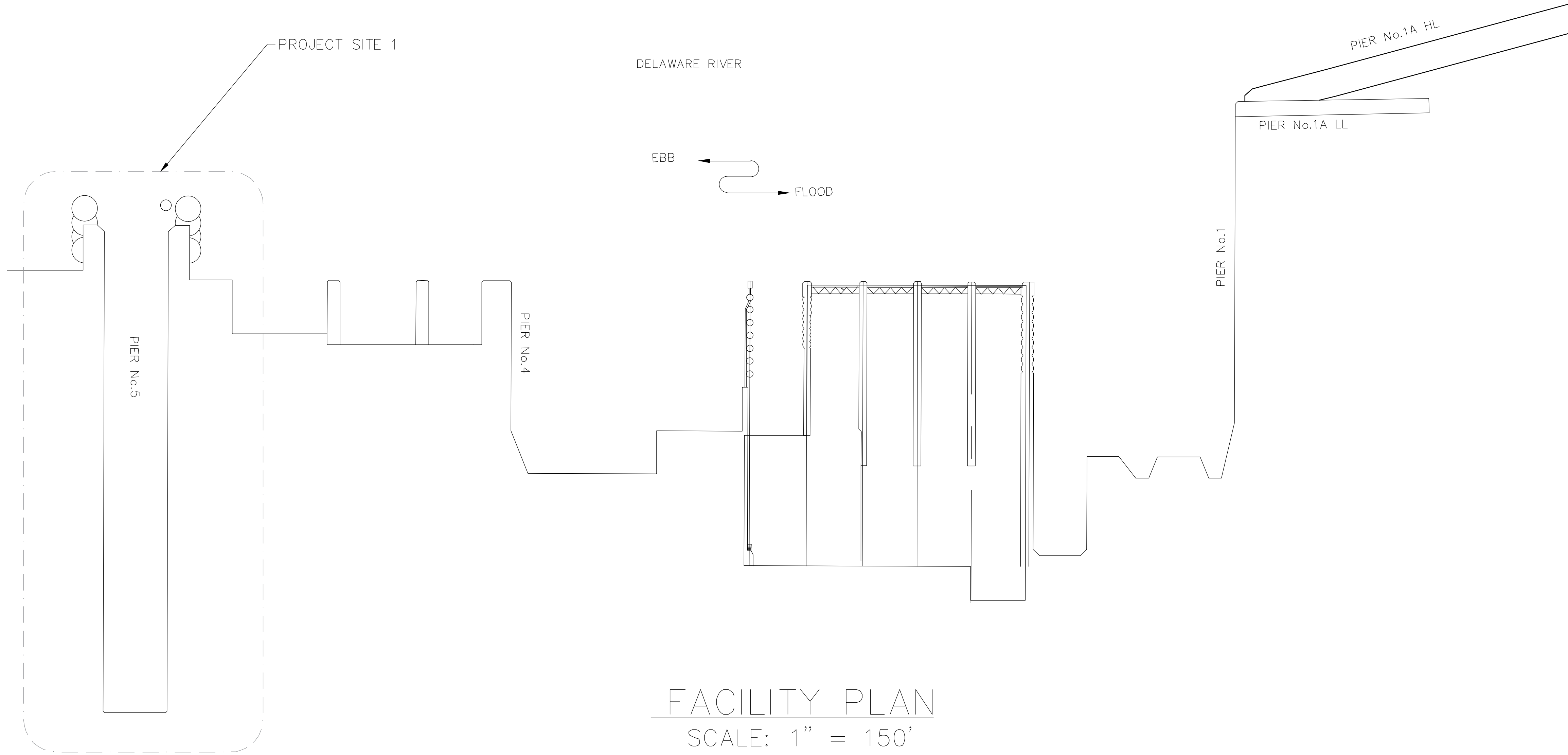
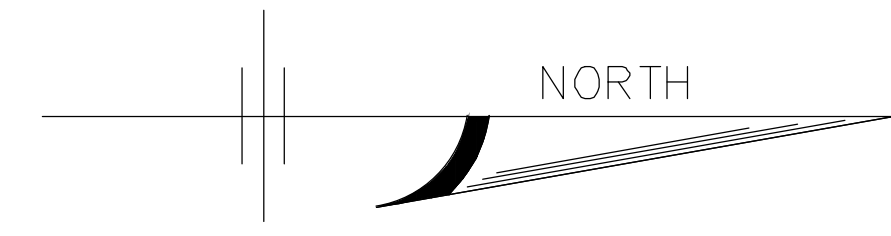
SOUTH JERSEY PORT CORPORATION
BROADWAY FACILITY
IMMEDIATE REPAIRS

MidAtlantic
Engineering Professionals, LLC

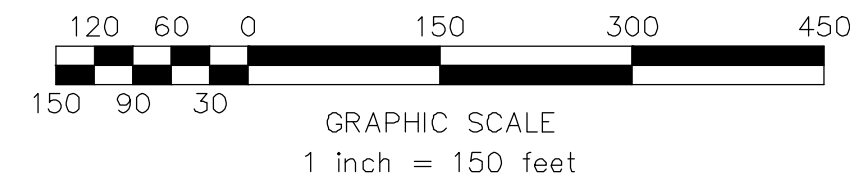
Certificate of Authorization No. 240A20184000
Louis L. Zagorin IV P.E. PE No. GE04226500
William J. Paventi II P.E. PE No. GE04753800

Gateway 105 Center
5 Commerce Way, Suite 200
Hamilton, NJ 08691
609-910-4450

File Name: C:\South Jersey Port Corporation\OBS\SJP-2101 - Balzano & Broadway Terminals - Inspection & Rehabilitation\DWG\Pier 5_Cell 4N_Repairs\2021_9_13\Cover Page.dwg
Plot Time: Sep 13, 2021 12:47pm



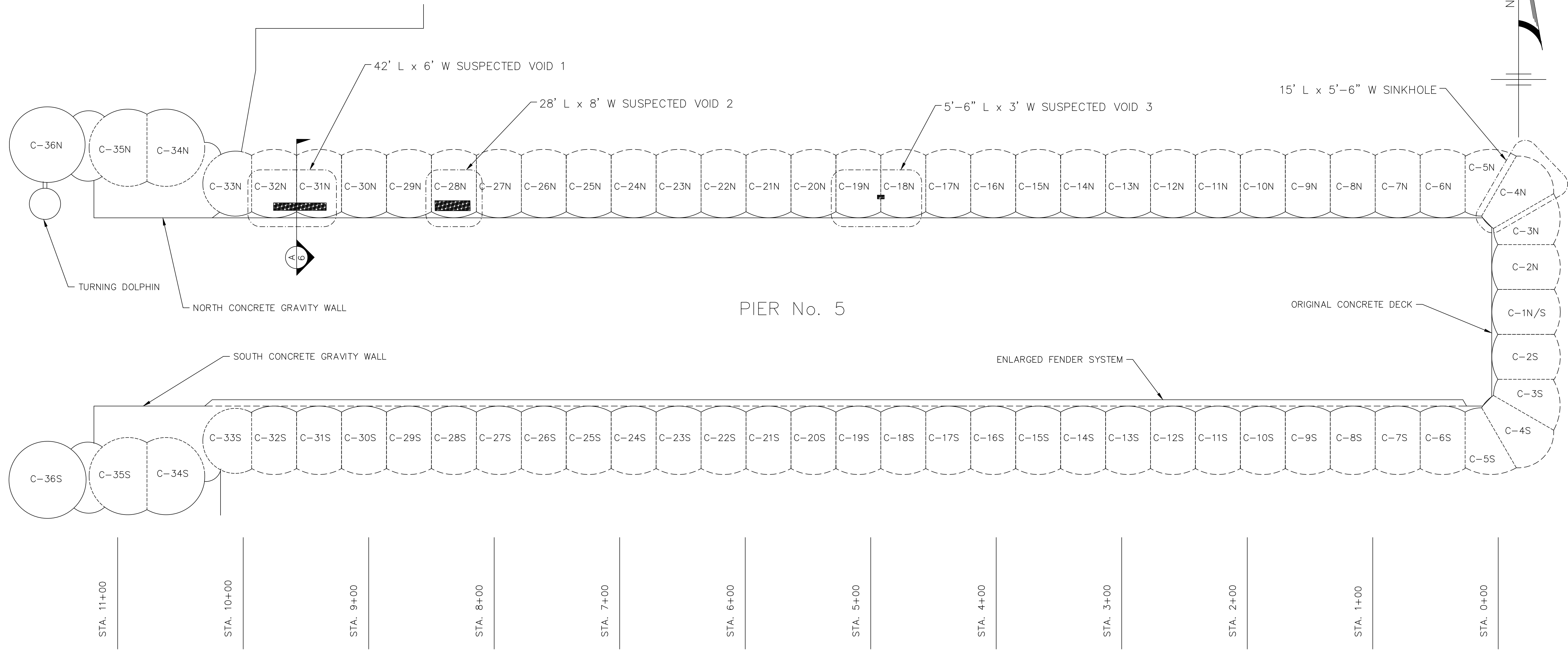
FACILITY PLAN
 SCALE: 1" = 150'



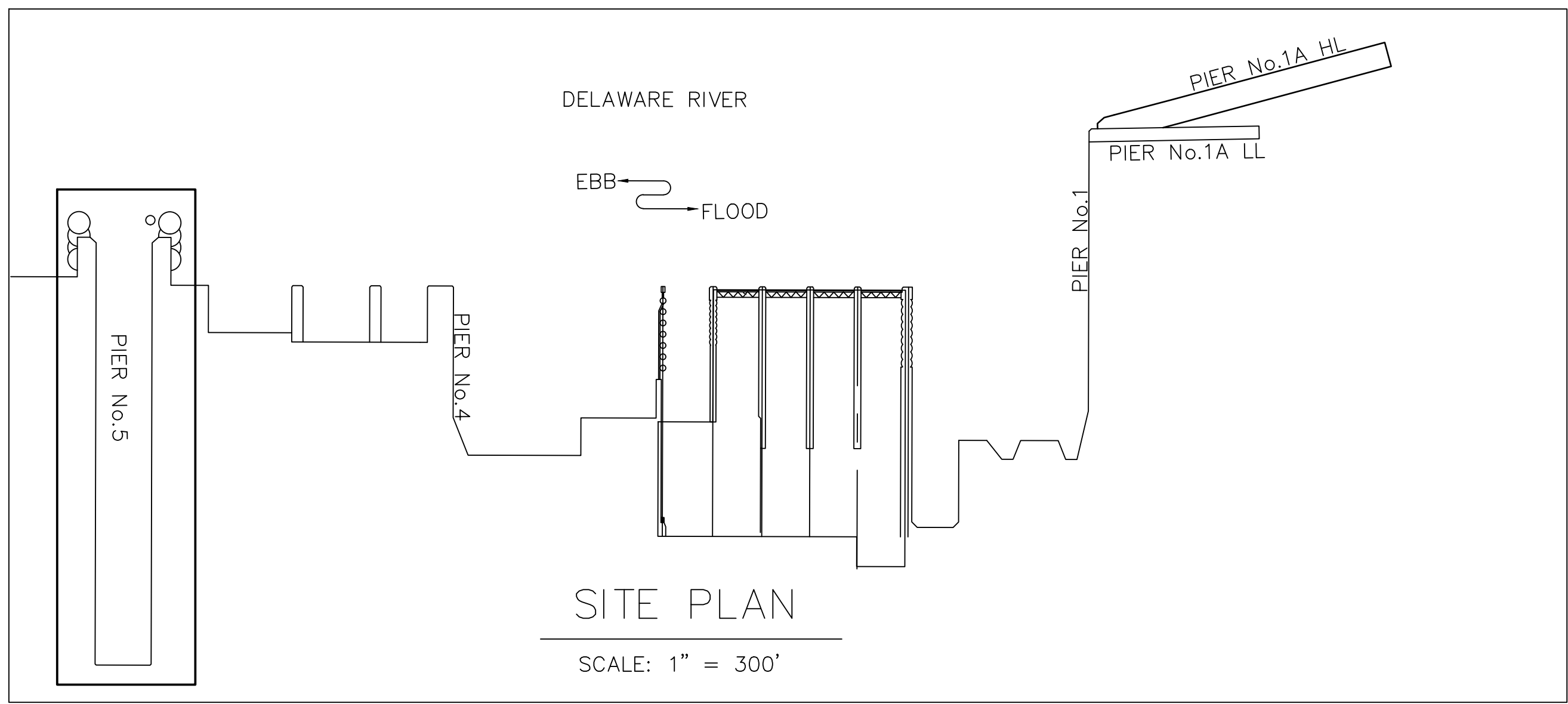
ISSUED FOR BID

PROJECT No: SUP-2101		HORIZONTAL SCALE: AS SHOWN		VERTICAL SCALE: N/A		DATE: 9/13/2021	
DRAWN BY: ATF		CHECKED BY: WSL		RELEASED BY: WSL		DATE: 9/13/2021	
SOUTH JERSEY PORT CORPORATION BROADWAY FACILITY IMMEDIATE REPAIRS				FACILITY SITE PLAN SITUATED IN CAMDEN, NEW JERSEY 08103			
				Certificate of Authorization No. 240A20184000 Louis L. Zagner IV P.E. PE No. GE04226500 William J. Paventi II P.E. PE No. GE04753800 Gateway 105 Centre 5 Commerce Way, Suite 200 Hamilton, NJ 08691 609-910-4450			
Sheet Number		3		OF		8	
DRAWN BY		ATF		ISSUE FOR BID		DRAWN BY	
CHECKED BY		WSL		REVISIONS		DATE	
RELEASED BY		WSL		DATE		9/13/2021	
DATE		9/13/2021		DATE		9/13/2021	
DATE		9/13/2021		DATE		9/13/2021	

File Name: C:\South Jersey Port Corporation\OBS\SAP-2101 - Balzano & Broadway Terminals - Inspection & Rehabilitation\DWG\Pier 5_Cell 4N_Repairs\2021_9_13_Existing and Proposed Repair.dwg
 Plot Time: Sep 13, 2021 12:47pm

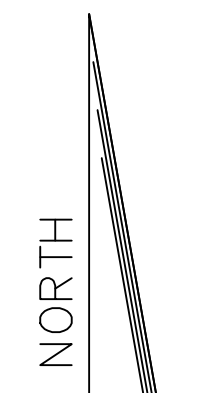
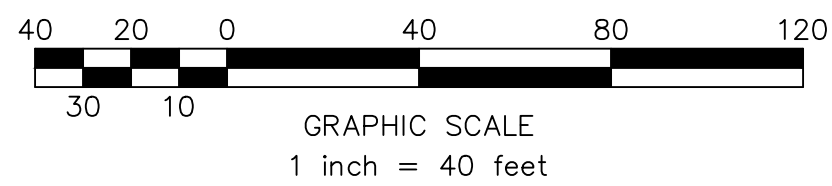


PIER 5 PLAN
 SCALE: 1" = 40'



- GENERAL NOTES:
1. SITE PLAN DEVELOPED BY REFERENCE DRAWINGS PROVIDED BY S.T. HUDSON AS PART OF THE 2004 INSPECTION REPORT.
 2. DIMENSIONS OF SUSPECTED SINKHOLES WERE FIELD MEASURED ON AUGUST 25, 2021 BY MIDATLANTIC ENGINEERING PARTNERS BASED OFF OF THE OUTLINES DRAWN BY GPRS WHO PERFORMED THE GPR SURVEY ON JULY 23, 2021.

ISSUED FOR BID



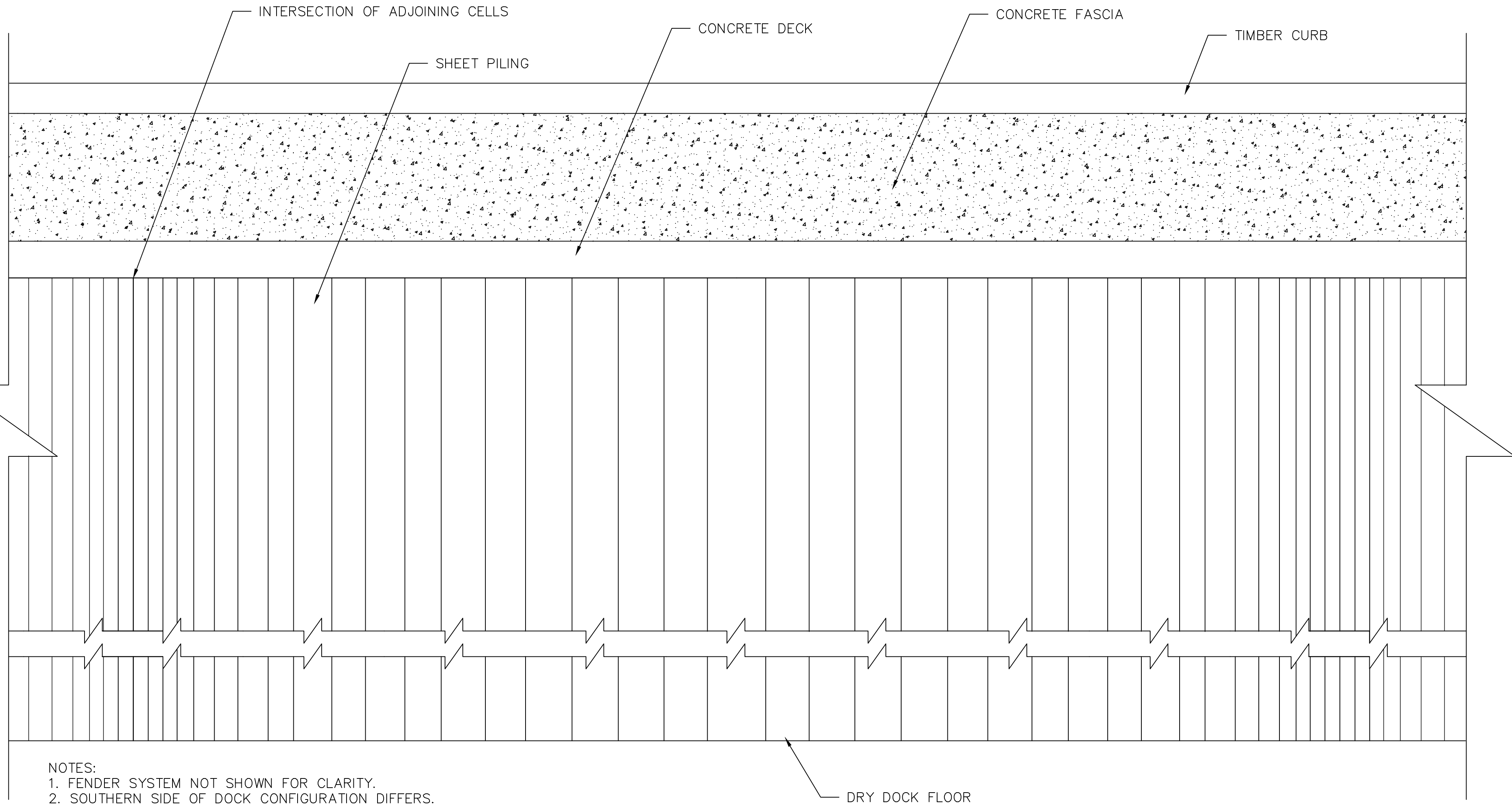
PROJECT No: SUP-2101		HORIZONTAL SCALE: AS SHOWN		VERTICAL SCALE: N/A		DATE: 9/13/2021		ISSUE FOR BID: ATF		DRAWN BY: WSL		CHECKED BY:	
DRAWN BY: ATF		CHECKED BY: WSL		RELEASED BY: WSL		DATE: 9/13/2021		ISSUE FOR BID: ATF		DRAWN BY: WSL		CHECKED BY:	
SOUTH JERSEY PORT CORPORATION												REVISIONS	
BROADWAY FACILITY												DATE	
IMMEDIATE REPAIRS												DATE	
PIER 5 SITE PLAN												DATE	
SITUATED IN												DATE	
CAMDEN, NEW JERSEY 08103												DATE	

Certificate of Authorization No. 240428184000		Louis L. Zoogner IV P.E.		PE No. GE04226500		William J. Parvizi III P.E.		PE No. GE04133800	
MidAtlantic		Engineering Partners, LLC		5 Commerce Way, Suite 200		Hamilton, NJ 08691		609-910-4450	

Sheet Number 4 OF 8

File Name: G:\South Jersey Port Corporation\OBS\AS-P-2101 - Balzone & Broadway Terminals - Inspection & Rehabilitation\DWG\Pier 5_Cell 4N_Repairs\2021_9_13_Existing and Proposed Repair.dwg
 Plot time: Sep 13, 2021 12:47pm

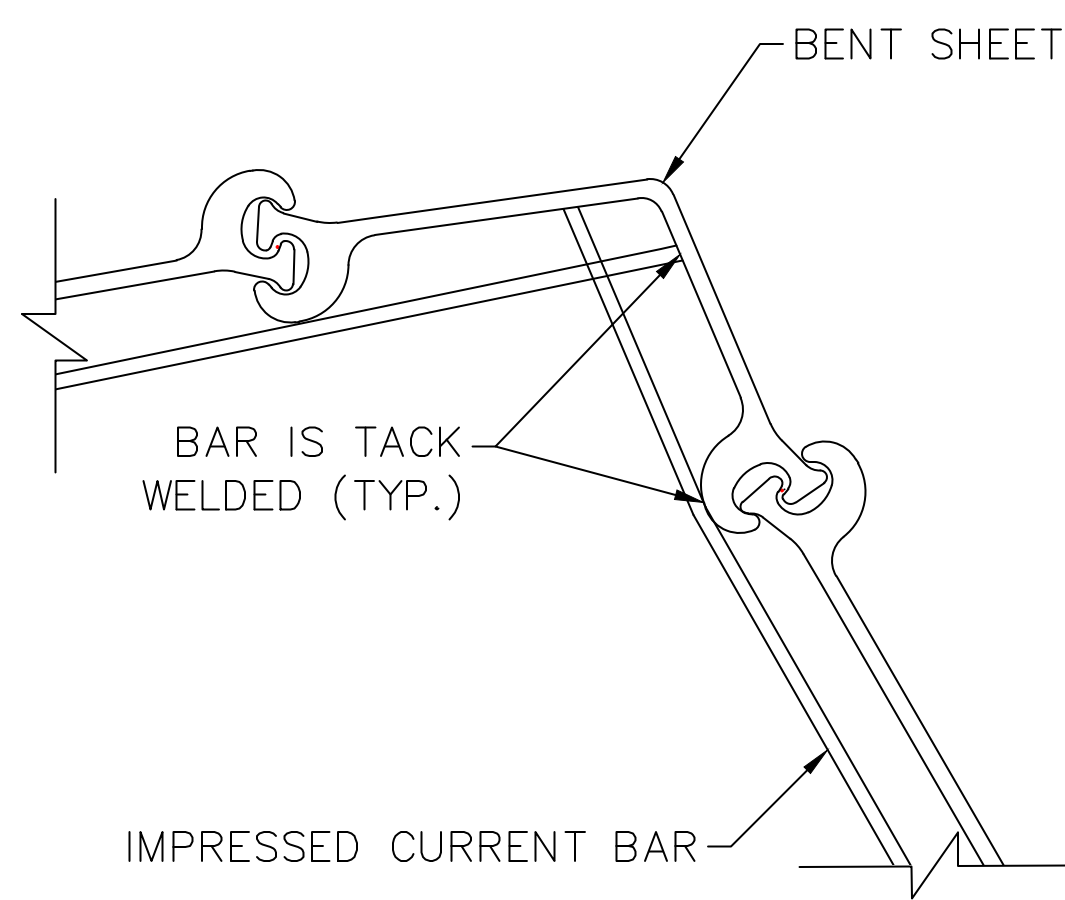
ISSUED FOR BID



NOTES:
 1. FENDER SYSTEM NOT SHOWN FOR CLARITY.
 2. SOUTHERN SIDE OF DOCK CONFIGURATION DIFFERS.

TYPICAL PARTIAL ELEVATION

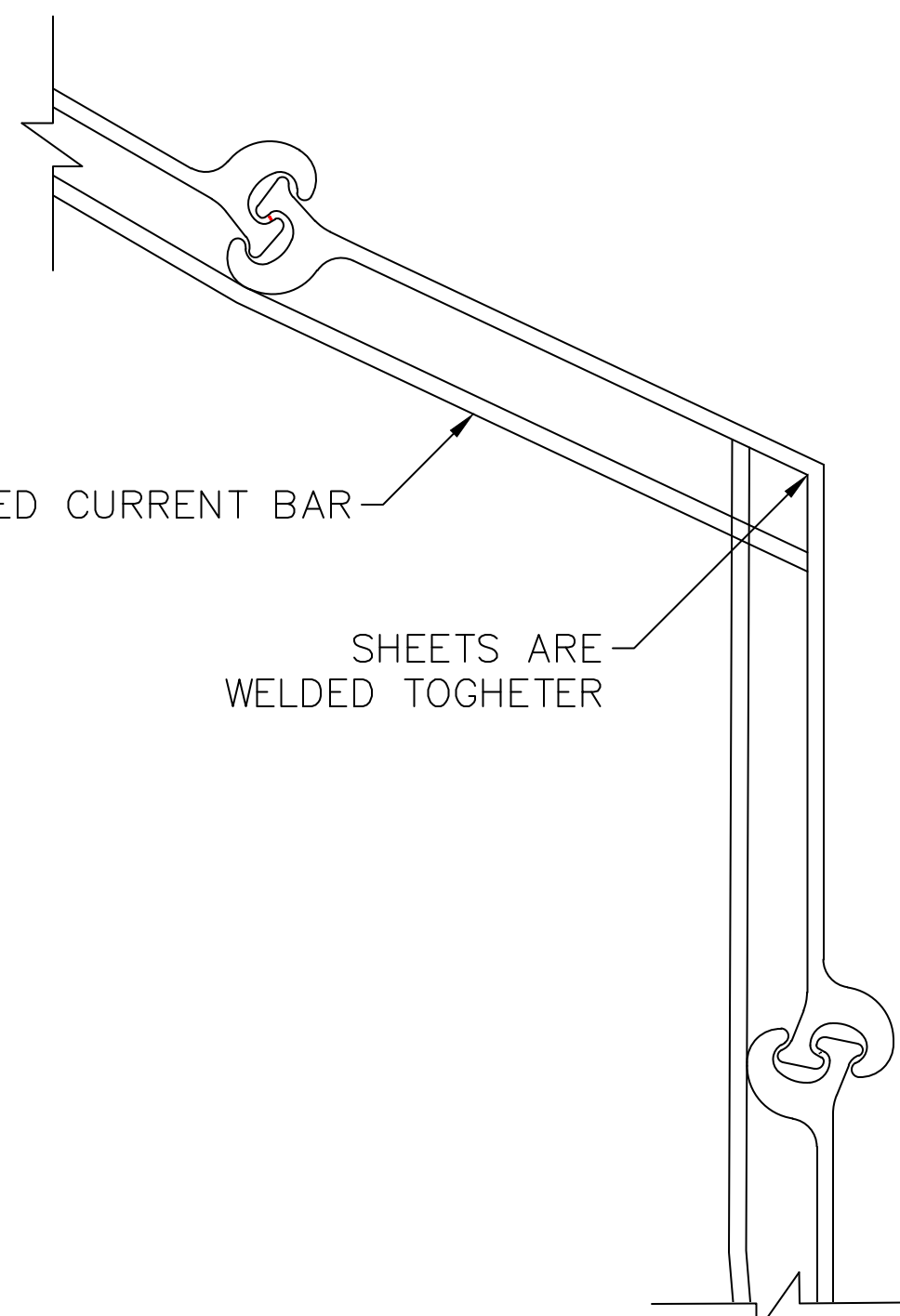
SCALE: 1" = 2'



ADJOINING CELL DETAIL

SCALE: 3" = 1'

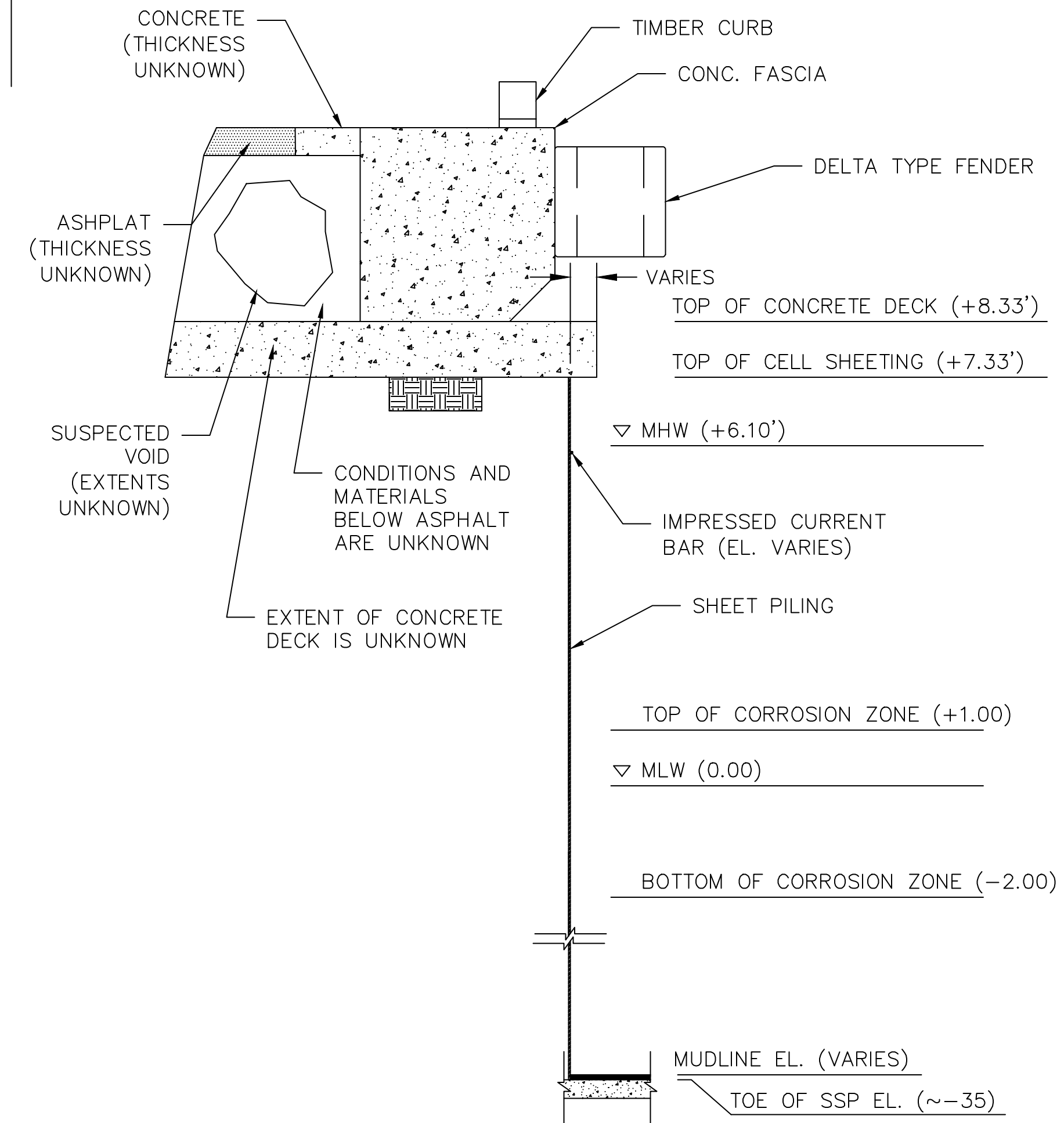
2/5



ADJOINING CELL DETAIL

SCALE: 3" = 1'

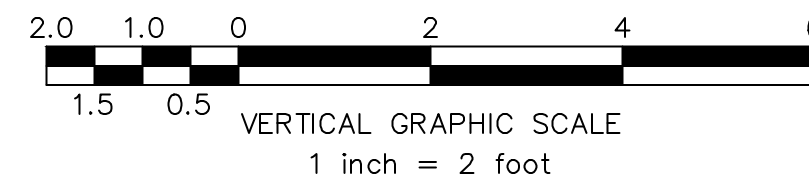
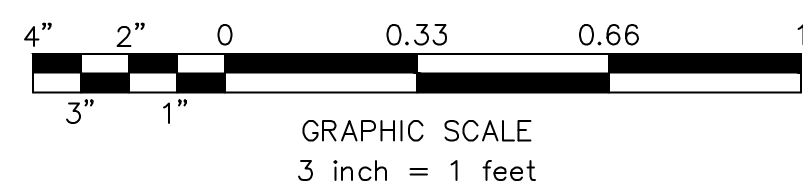
3/5



EXISTING SUSPECTED VOID SECTION

SCALE: 1" = 2'

A/3



PROJECT No:	SJP-2101
DRAWN BY:	ATF
CHECKED BY:	WSL
RELEASED BY:	WSL
HORIZONTAL SCALE:	AS SHOWN
VERTICAL SCALE:	N/A
DATE:	9/13/2021
ISSUE FOR BID:	ATF
REVISIONS:	DATE
DATE:	9/13/2021
CHECKED BY:	WSL
DRAWN BY:	ATF
DATE:	9/13/2021

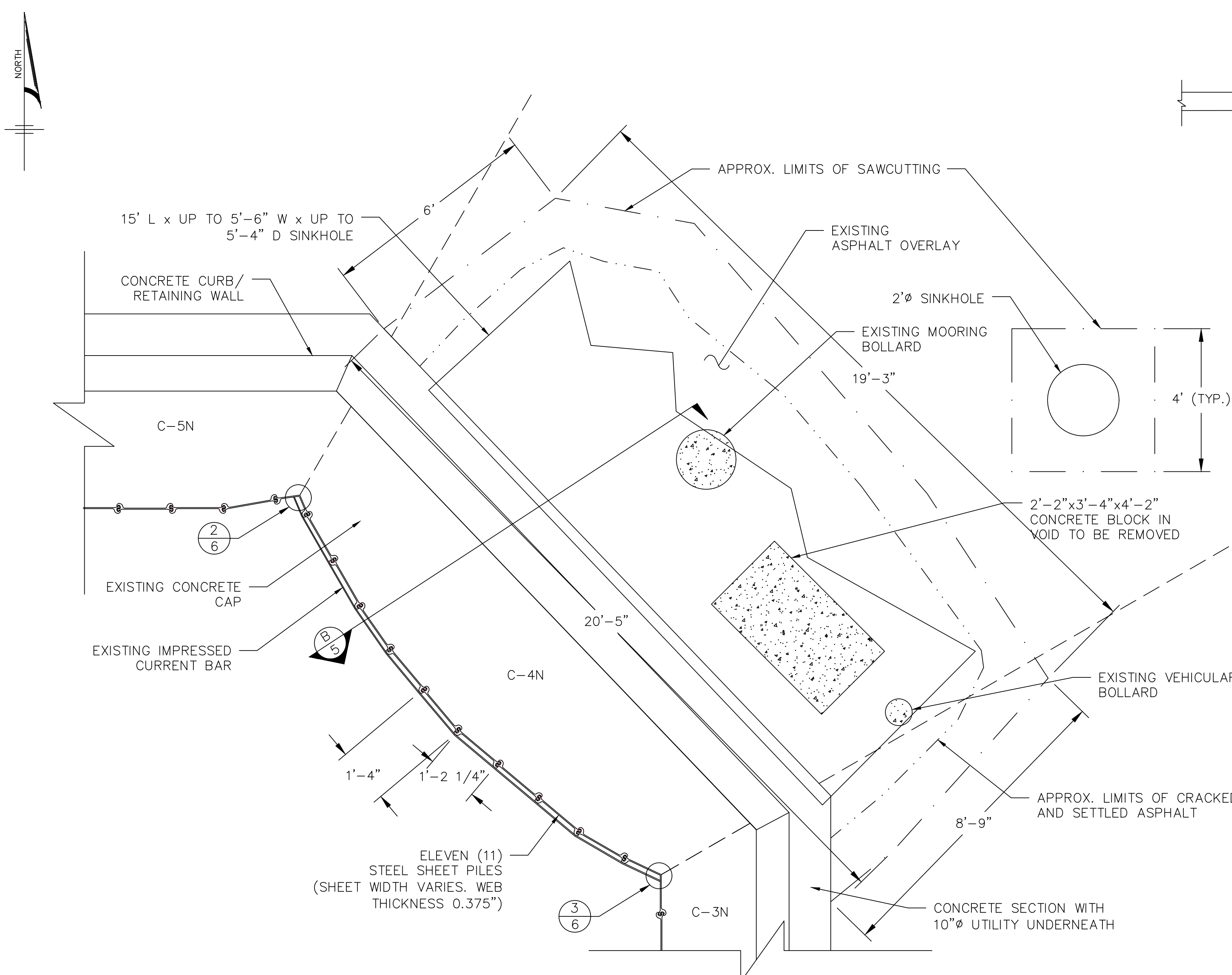
SOUTH JERSEY PORT CORPORATION
 BROADWAY FACILITY
 IMMEDIATE REPAIRS

PIER 5 EXISTING CONDITIONS 2 OF 2
 SITUATED IN
 CAMDEN, NEW JERSEY 08103

MidAtlantic
 Engineering Partners, Inc.
 Gateway 108 Center
 5 Commerce Way, Suite 200
 Hamilton, NJ 08691
 609-910-4450

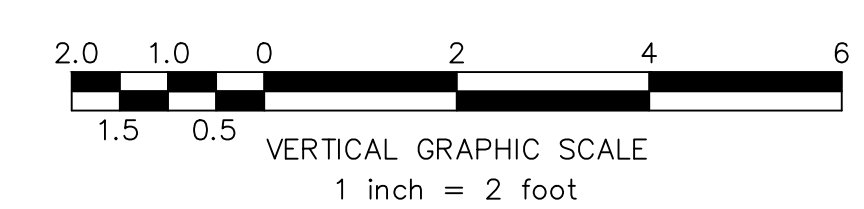
Certificate of Authorization No. 240A00184000
 PE No. GE04226500
 Louis L. Zoogner IV P.E.
 PE No. GE04133800
 William J. Parrilli III P.E.

File Name: G:\South Jersey Port Corporation\OBS\SIP-2101 - Balzano & Broadway Terminals - Inspection & Rehabilitation\DWG\Pier 5_Cell 4N_Repairs\2021_9_13\Existing and Proposed Repair.dwg
 Plot time: Sep 13, 2021 - 12:48pm

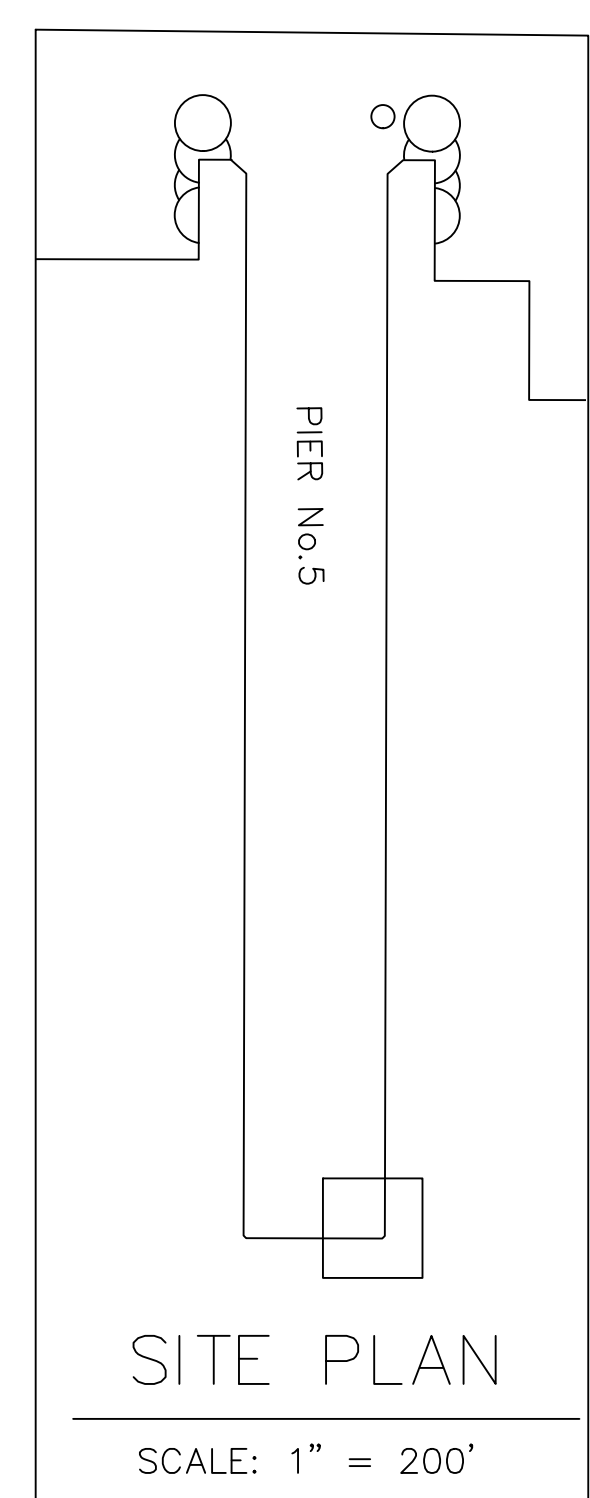


PARTIAL PLAN

SCALE: 1" = 2'



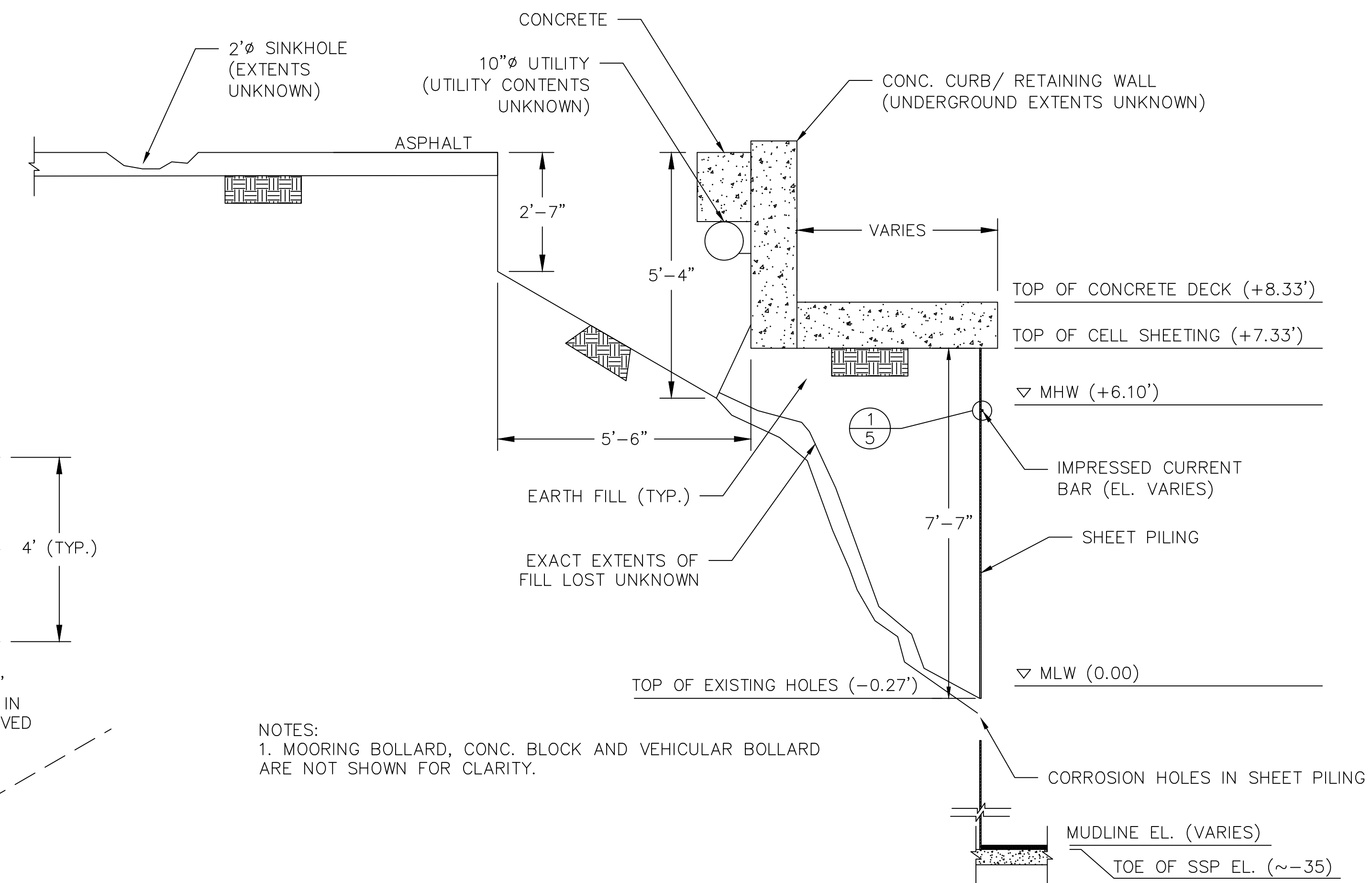
NOTES:
 1. SINKHOLE SIZE IS BASED ON THE INSPECTION NOTES OBTAINED DURING THE EMERGENCY INSPECTION PERFORMED ON JUNE 12, 2021 PERFORMED BY MIDATLANTIC ENGINEERING PARTNERS.



SITE PLAN

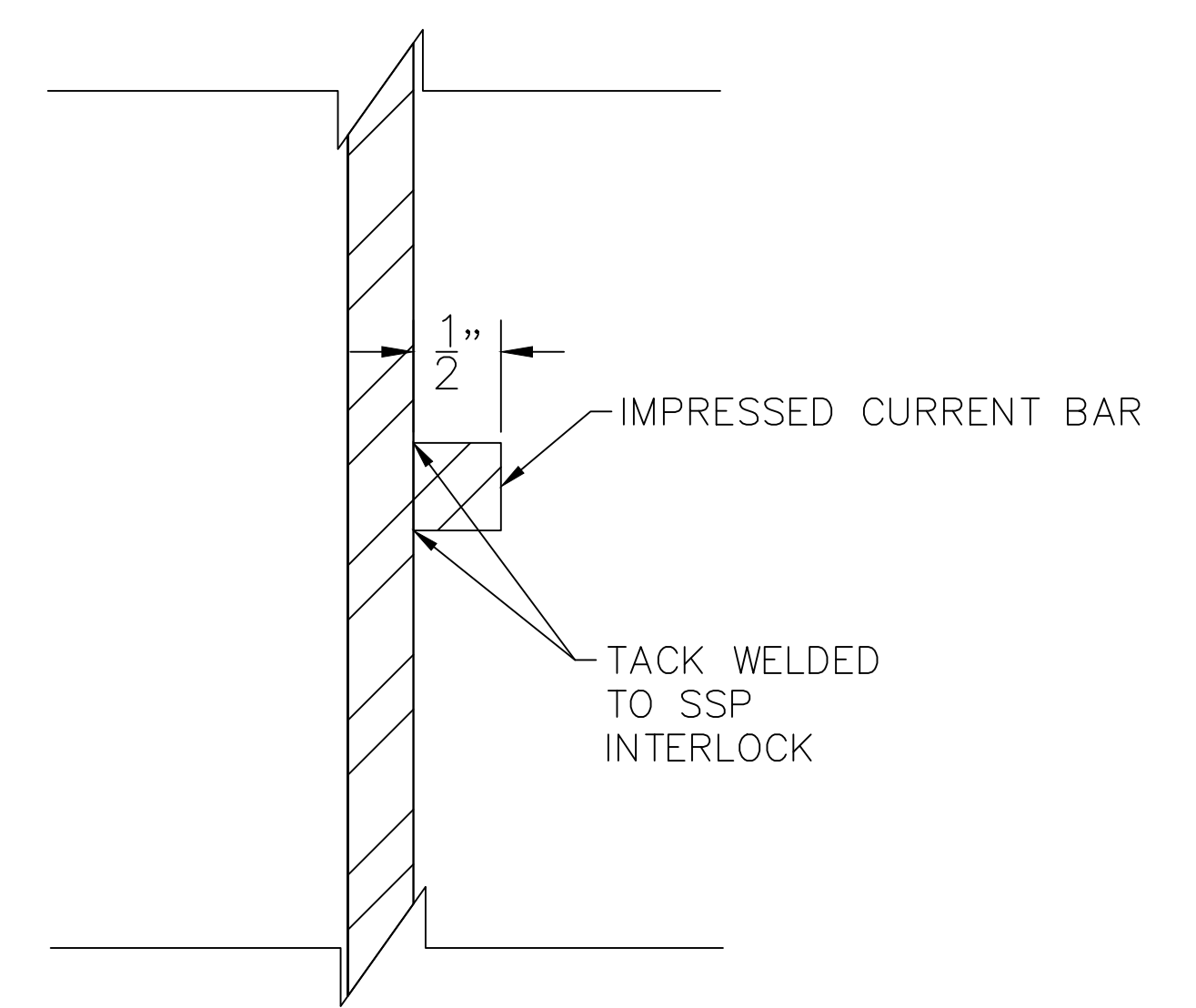
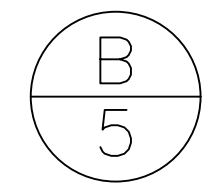
SCALE: 1" = 200'

ISSUED FOR BID



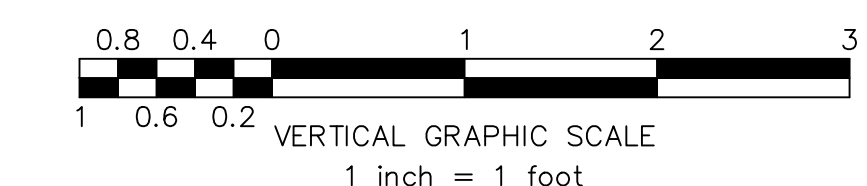
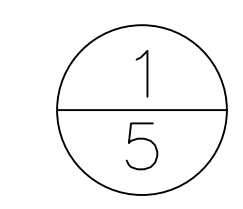
EXISTING 4N CROSS SECTION

SCALE: 1" = 2'



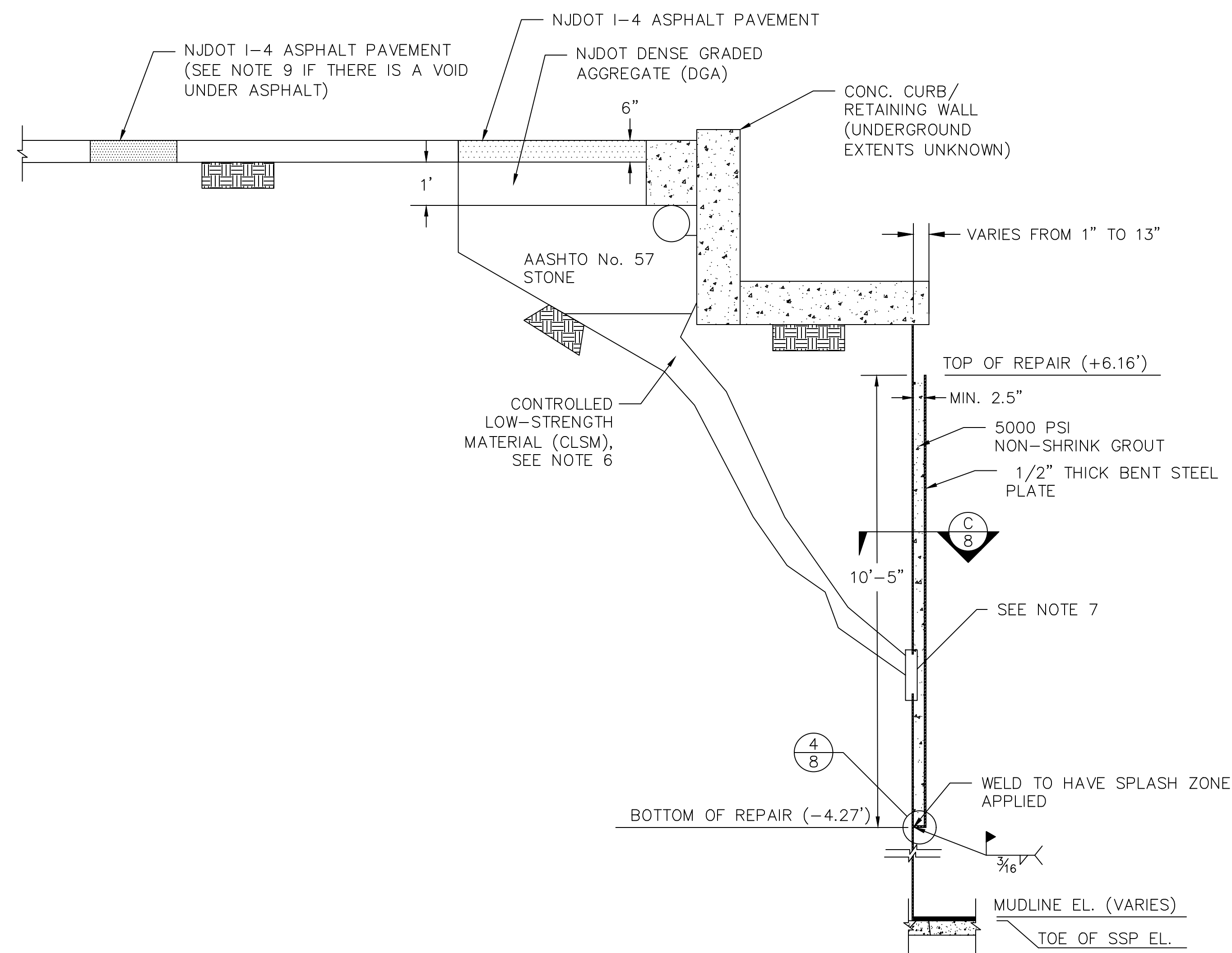
DETAIL

SCALE: 1" = 1'



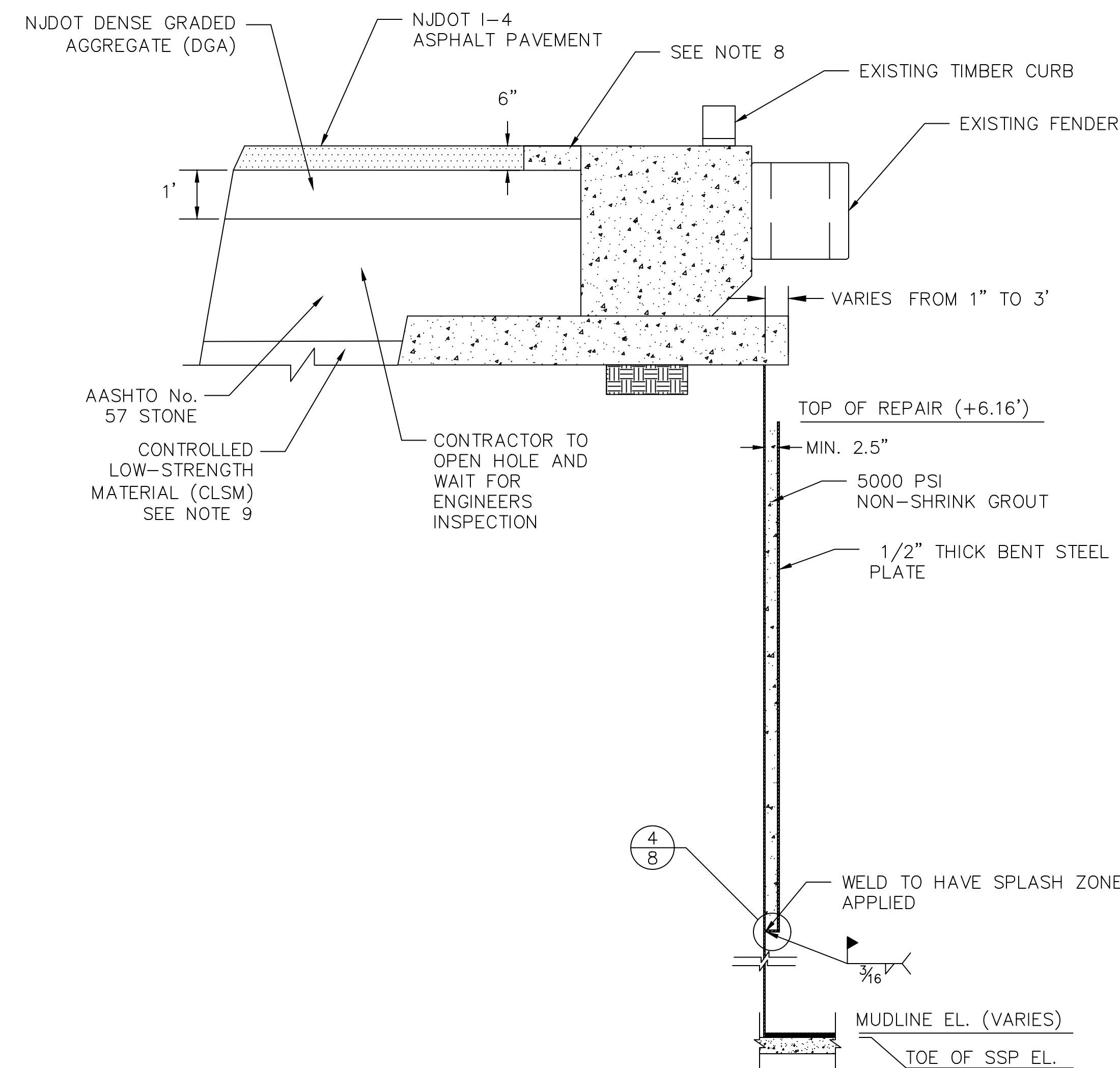
PROJECT No: SIP-2101 DRAWN BY: ATF CHECKED BY: WSL RELEASED BY: WSL DATE: 9/13/2021		HORIZONTAL SCALE: AS SHOWN VERTICAL SCALE: N/A	DATE: 9/13/2021 ISSUE FOR BID: ATF WSL REVISIONS:	DRAWN BY: WSL CHECKED BY: WSL DATE: 9/13/2021
SOUTH JERSEY PORT CORPORATION BROADWAY FACILITY IMMEDIATE REPAIRS				
PIER 5 EXISTING CONDITIONS 1 OF 2 SITUATED IN CAMDEN, NEW JERSEY 08103				
Certificate of Authorization No: 2416A08184000 Louis L. Zagorac IV P.E. PE No: GE04226500 William J. Parkhill II P.E. PE No: GE04123800 105 Cedar 5 Commerce Way, Suite 200 Hamilton, NJ 08691 609-810-4450				
Sheet Number 6 OF 8				

File Name: C:\South Jersey Port Corporation\JOBS\SP-2101 - Balzone & Broadway Terminals - Inspection & Rehabilitation\DWG\Pier 5_Cell 4N_Repairs\2021_9_13_Existing and Proposed Repair.dwg
 Plot Time: Sep 13, 2021 12:48pm



PROPOSED 4N REPAIR CROSS SECTION

SCALE: 1" = 2'



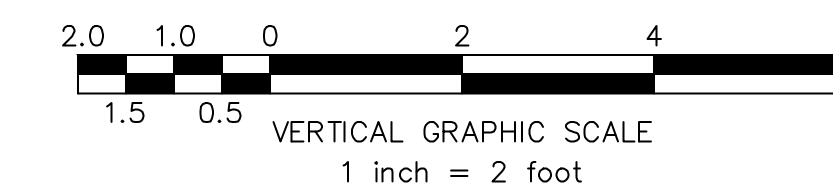
PROPOSED TYPICAL VOID REPAIR CROSS SECTION

SCALE: 1" = 2'

NOTES:

1. FOR GENERAL NOTES SEE SHEET 2.
2. CLEAN SSP OF CELL IN THE FOOTPRINT OF REPAIRS. CLEAN ALL EXPOSED SURFACES OF MARINE GROWTH, SCALING AND CORROSION USING APPROPRIATE CLEANING EQUIPMENT.
3. IMMEDIATELY PRIOR TO WELDING, THOROUGHLY CLEAN NEW AND EXISTING STEEL SURFACE RECEIVING WELDS OF ALL FOREIGN MATTER INCLUDING MARINE GROWTH, SEDIMENTS, COATINGS, RUST, OIL AND LOOSE MATERIAL FOR A MINIMUM DISTANCE OF 3" ON EACH SIDE OF THE WELD.
4. THE EXISTING CELL IS DETERIORATED. SIGNIFICANT BULGING AND LEANING IS POSSIBLE IN THE EXISTING SSP. STEEL PLATE AND ANGLES SHALL BE FIELD MEASURED AND FIELD TRIMMED TO CONFORM TO CELL HORIZONTAL AND VERTICAL CURVATURE.
5. CONTRACTOR TO REVIEW FIELD CONDITIONS PRIOR TO PROCUREMENT OF MATERIALS. PROCURED QUANTITY AND SIZE OF MATERIAL SHALL BE IN CONSIDERATION OF FIELD CONDITIONS.
6. EXTENT OF VOID MAY EXCEED WHAT IS SHOWN ON THE DRAWING.
7. ANY CORROSION HOLE THAT IS GREATER THAN 5" DIA. MUST TO BE PLUGGED PRIOR TO PLATE INSTALLATION.
8. IF NECESSARY TO REMOVE CONCRETE, REPLACE WITH MINIMUM 4000 PSI CONCRETE TO THE ORIGINAL DIMENSIONS.
9. SUSPECTED VOIDS BELOW THE ASPHALT ARE TO BE FILLED AS FOLLOWS:
 - A. BOTTOM OF VOID TO 4' TO THE TOP OF THE ASPHALT - CONTROLLED LOW-STRENGTH MATERIAL (CLSM)
 - B. 4' TO 1.5' TO THE TOP OF THE ASPHALT - AASHTO No. 57 STONE
 - C. 1.5' TO 0.5' TO THE TOP OF THE ASPHALT - DENSE GRADED AGGREGATE (DGA)
 - D. 0.5' TO 0" TO THE TOP OF THE ASPHALT - NJDOT 1-4 ASPHALT

ISSUED FOR BID



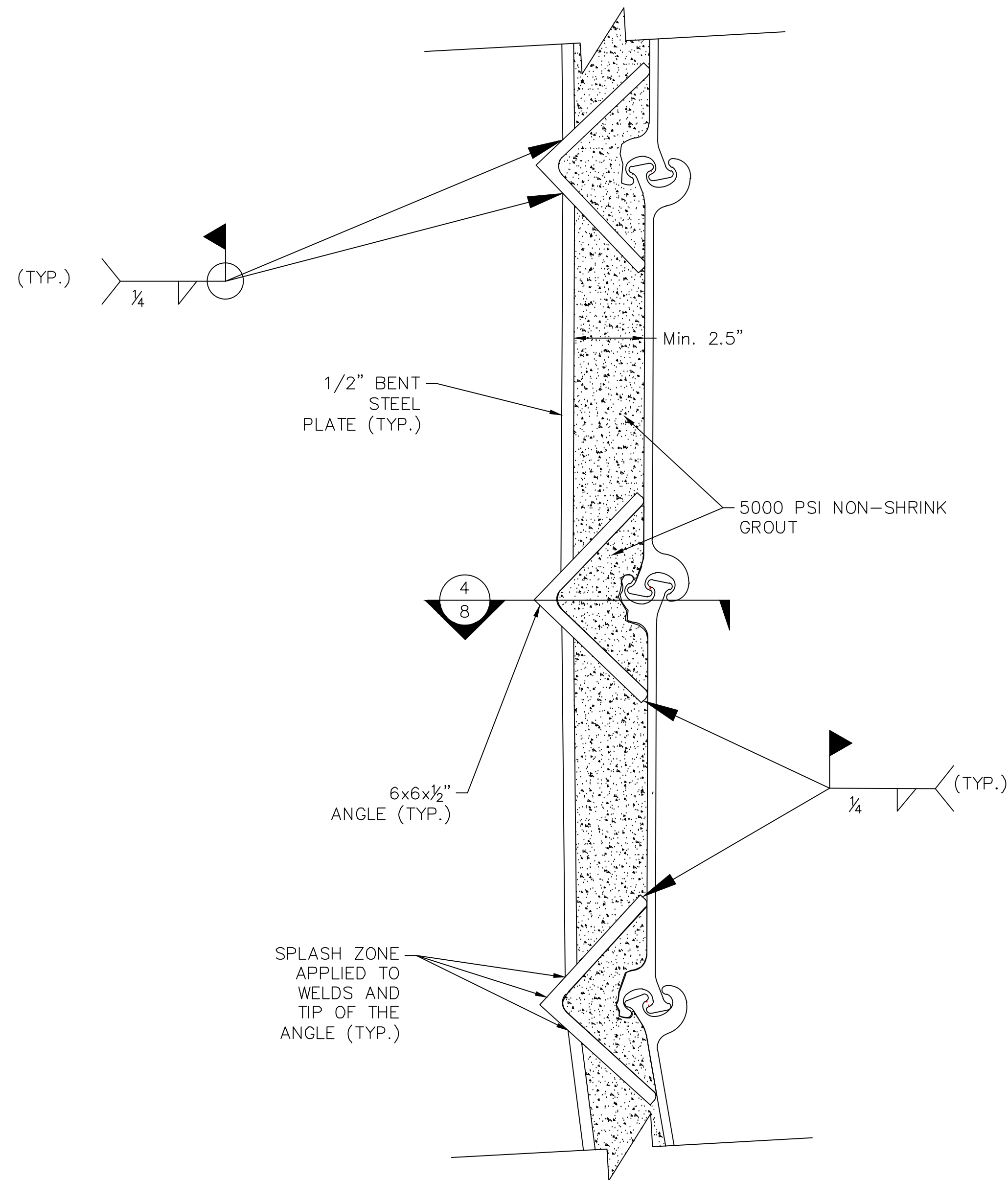
PROJECT No.	SUP-2101
DRAWN BY:	ATF
CHECKED BY:	WSL
RELEASED BY:	WSL
DATE:	9/13/2021
ISSUE FOR BID:	ATF
REVISIONS:	
DRAWN BY:	WSL
CHECKED BY:	

HORIZONTAL SCALE:	AS SHOWN
VERTICAL SCALE:	N/A

SOUTH JERSEY PORT CORPORATION
 BROADWAY FACILITY
 IMMEDIATE REPAIRS
 PIER 5 PROPOSED REPAIRS 1 OF 2
 SITUATED IN
 CAMDEN, NEW JERSEY 08103

MidAtlantic
 Engineering Partners, Inc.
 Certificate of Authorization No. 240329184000
 PE No. GE04226500
 William J. Parthel III P.E.
 PE No. GE04133800
 Gateway 108 Center
 5 Commerce Way, Suite 200
 Hamilton, NJ 08961
 609-910-4450

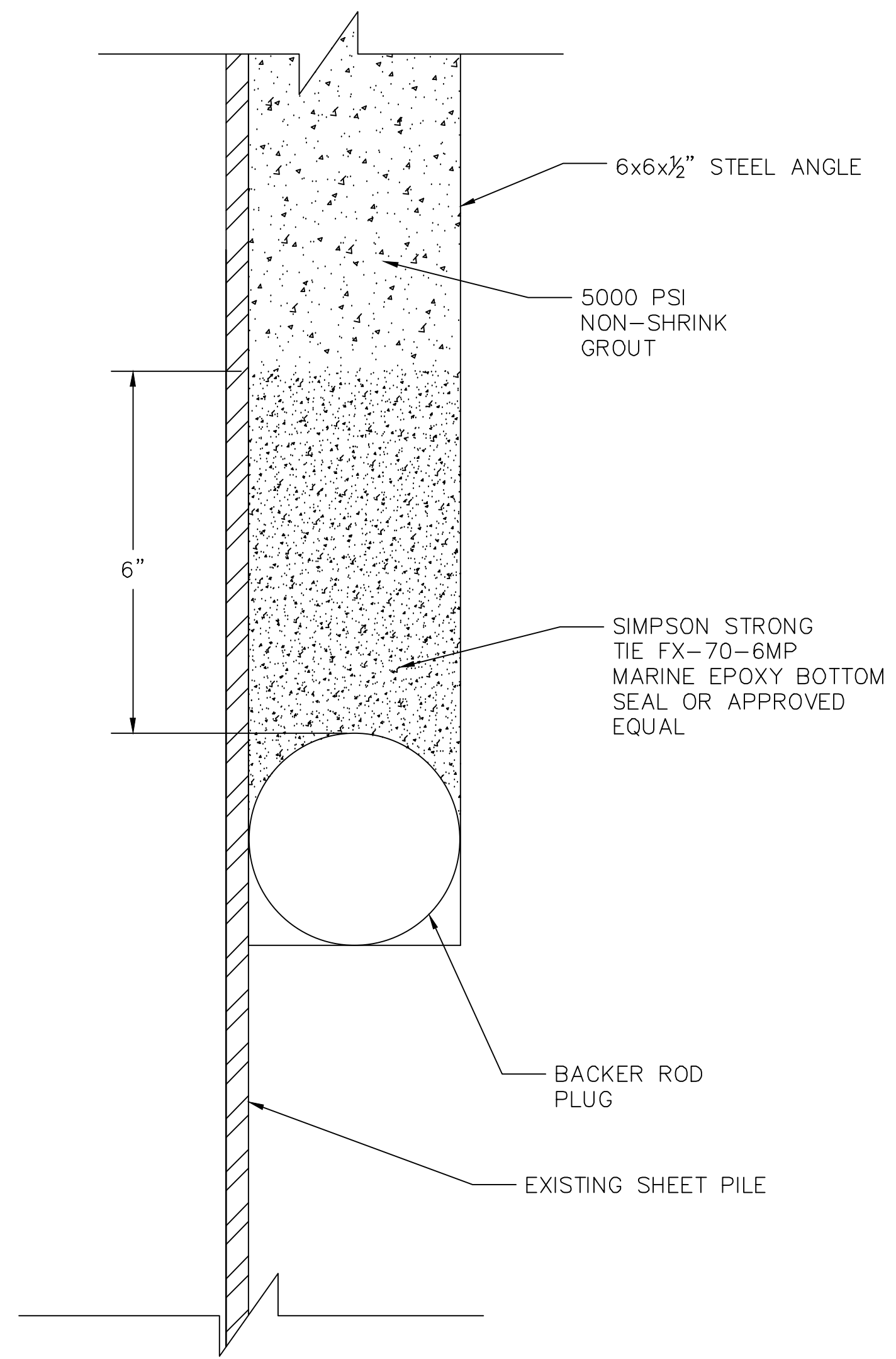
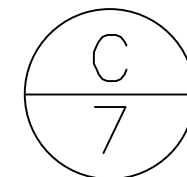
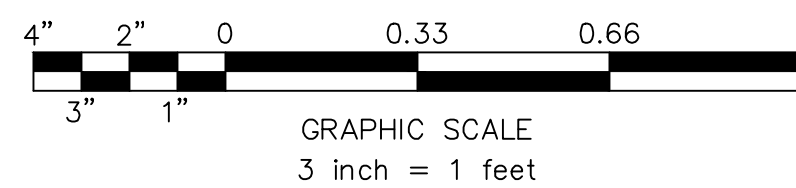
File Name: G:\South Jersey Port Corporation\OBS\SUP-2101 - Balance & Broadway Terminals - Inspection & Rehabilitation\DWG\Pier 5_Cell 4N_Repairs\2021_9_13_Existing and Proposed Repair.dwg
 Plot Time: Sep 13, 2021 12:48pm



- NOTES:
1. IMPRESSED CURRENT BAR TO BE REMOVED AS NECESSARY TO INSTALL 6x6x1/2 ANGLES.
 2. STEEL ANGLES ARE TO BE UNCOATED.
 3. CONTRACTOR TO POWER WASH ALL SURFACES PRIOR TO INSTALLATION OF REPAIR TO ENSURE SUFFICIENT BOND WITH GROUT.

CROSS SECTION

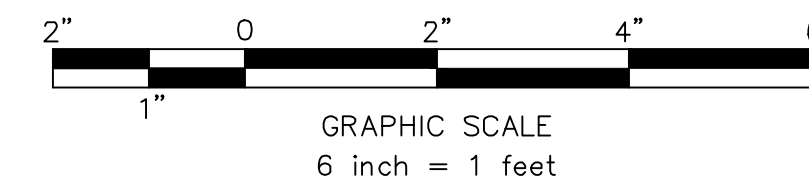
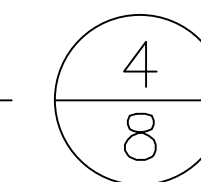
SCALE: 3" = 1'



- NOTES:
1. BACKER ROD TO BE INSTALLED IN A MANNER THAT WILL CREATE A SEAL ALLOWING NONE OF THE BOTTOM SEAL EPOXY TO ESCAPE.

DETAIL

SCALE: 6" = 1'



ISSUED FOR BID

PROJECT No:	SUP-2101
DRAWN BY:	ATF
CHECKED BY:	WSL
RELEASED BY:	WSL
HORIZONTAL SCALE:	AS SHOWN
VERTICAL SCALE:	N/A
DATE:	9/13/2021
ISSUE FOR BID:	ATF
REVISIONS:	DATE
DRAWN BY:	WSL
CHECKED BY:	ATF
DRAWN BY:	WSL
CHECKED BY:	ATF

SOUTH JERSEY PORT CORPORATION
 BROADWAY FACILITY
 IMMEDIATE REPAIRS
 PIER 5 PROPOSED REPAIRS 2 OF 2
 SITUATED IN
 CAMDEN, NEW JERSEY 08103

MidAtlantic
Engineering Partners, LLC

Gateway 108 Center
5 Commerce Way, Suite 200
Hamilton, NJ 08691
609-910-4450

Certificate of Authorization No. 240429184000
 Louis L. Zagner IV P.E. PE No. GE04226500
 William J. Paventi II P.E. PE No. GE04733800